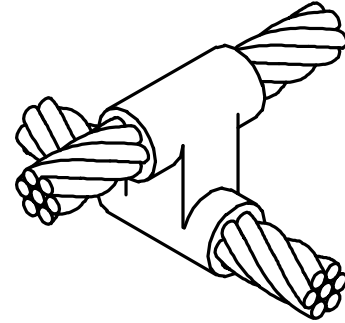


CABLE		MOLD #	PRICE KEY	WELD METAL	HANDLE CLAMPS
RUN	TAP				
#6	#6	M-6057	4	45	B-106
#4	#4	M-2687	4	65	B-106
#2	#2	M-2689	4	90	B-106
	#4	M-2690	4	65	B-106
#1	#1	M-2691	4	115	B-106
	#2	M-2692	4	90	B-106
	#4	M-2693	4	90	B-106
1/0	1/0	M-2694	22	150	B-106
	#1	M-2695	22	150	B-106
	#2	M-2696	22	115	B-106
	#4	M-2697	22	115	B-106
2/0	2/0	M-2698	22	200	B-106
	1/0	M-2699	22	200	B-106
	#1	M-2700	22	150	B-106
3/0	#2	M-2701	22	150	B-106
	3/0	M-2702	22	250	B-106
	2/0	M-2703	22	200	B-106
	1/0	M-2704	22	200	B-106
	#1	M-2705	22	150	B-106
4/0	#2	M-2706	22	150	B-106
	4/0	M-2707	22	250	B-106
	3/0	M-2708	22	250	B-106
	2/0	M-2709	22	200	B-106
	1/0	M-2710	22	200	B-106
	#1	M-2711	22	150	B-106
250 MCM	#2	M-2712	22	150	B-106
	250 MCM	M-2713	22	2-150	B-106
	4/0	M-2714	22	2-150	B-106
	3/0	M-2715	22	2-150	B-106
	2/0	M-2716	22	250	B-106
	1/0	M-2717	22	150	B-106
500 MCM	#1	M-2718	22	200	B-106
	#2	M-2719	22	150	B-106
	500 MCM	M-2747	23	3-250	B-107
	250 MCM	M-2751	23	500	B-107
	4/0	M-2752	23	500	B-107
	3/0	M-2753	23	500	B-107
	2/0	M-2754	23	2-200	B-107
1/0	M-2755	22	2-150	B-106	
#1	M-2756	22	250	B-106	
	M-2757	22	250	B-106	

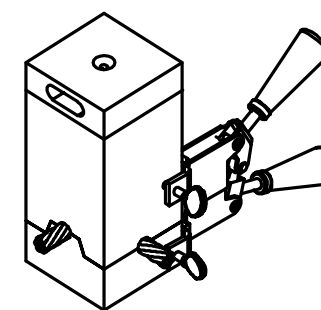
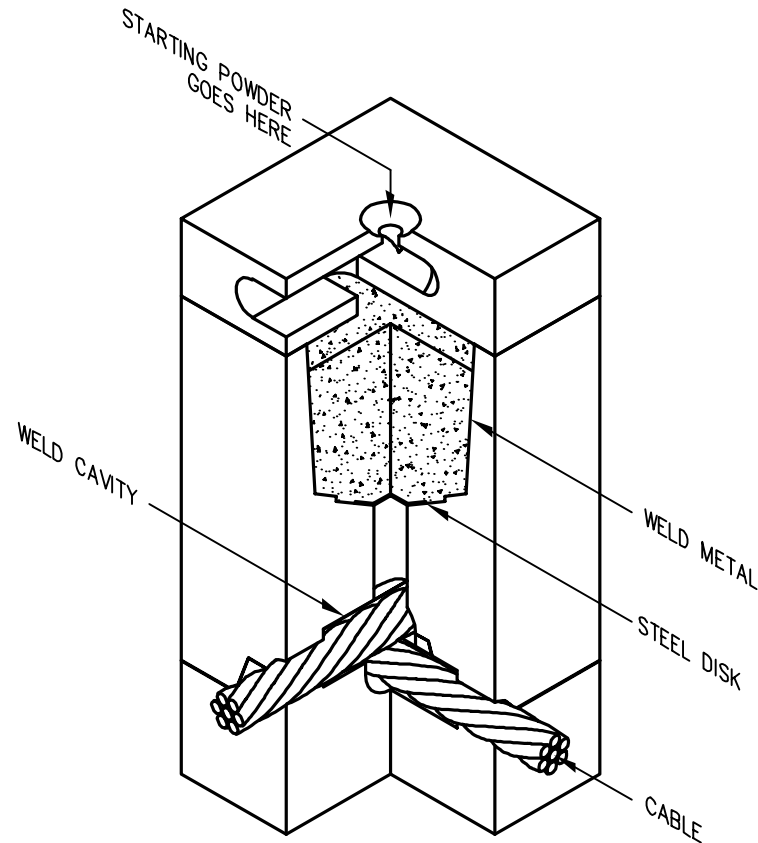


CC-II TYPE MOLDS
HORIZONTAL TO HORIZONTAL CABLE CROSS

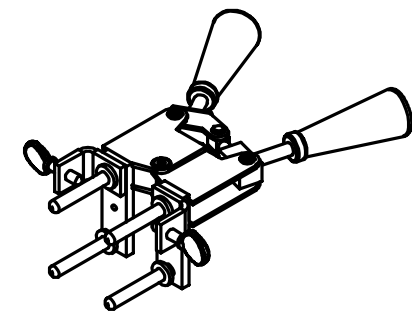
CC-II TYPE MOLDS ARE USED TO JOIN UNCUT HORIZONTAL CABLES AT RIGHT ANGLES TO EACH OTHER. SIZE RANGE IS #6 THROUGH 500 MCM SOLID OR CONCENTRIC STRANDED COPPER CONDUCTORS.

NOTES:

- FOR SIZES NOT LISTED, CONTACT THERMOWELD®.
- MOLDS LISTED ARE FOR CONCENTRIC STRANDED CABLE. ADD SUFFIX "-S" TO MOLD NUMBER FOR SOLID CONDUCTORS.
- FOR HEAVY DUTY MOLDS, MOLDS WITH WEAR PLATES OR MOLDS FOR COPPERWELD® CABLE, CONTACT THERMOWELD®.
- FOR EXPEDITED SERVICE, CONTACT THERMOWELD®.
- REQUIRED TOOLS;
HANDLE CLAMPS W/ FLINT IGNITOR (SEE CHART FOR CORRECT HANDLES)
38-0309-00 ~ FLINT IGNITOR
- OTHER RECOMMENDED ACCESSORIES;
40-0319-01 ~ MOLD CLEANER FOR CARTRIDGE SIZES #15-#65
40-0319-03 ~ MOLD CLEANER FOR CARTRIDGE SIZES #90-#500
38-3922-00 ~ MOLD CLEANING BRUSH
38-0135-00 ~ CABLE CLEANING BRUSH
38-0330-00 ~ CABLE CLAMP



SHOWN WITH
HANDLE CLAMPS



REF. B-106 / B-107
HANDLE CLAMPS

thermOweld®

REV	EC #	DESCRIPTION	DATE	INITIALS
B	211203014949	TEMPLATE UPDATED	12/03/21	BE
A	2532	UPDATED HANDLE CLAMPS	11/07/12	BAM
REVISION HISTORY				

TO ORDER thermOweld® PRODUCTS CALL UNITED STATES 1-800-558-1373 CANADA: 1-800-387-6487 FOR PRODUCT INFO: http://www.burndy.com	SIGNATURES				
	DRAWN BY	DATE	APPROVED BY	DATE	
	B. MCKASKLE	03/18/05	<i>MAC</i>	3/8/13	
	MATERIAL				
CC-11 TYPE MOLDS HORIZONTAL TO HORIZONTAL CABLE CROSS					
SIZE		DWG NO.		REV	
C		CD-0605		B	
SCALE	NTS		SHEET	1 OF 1	